
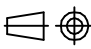
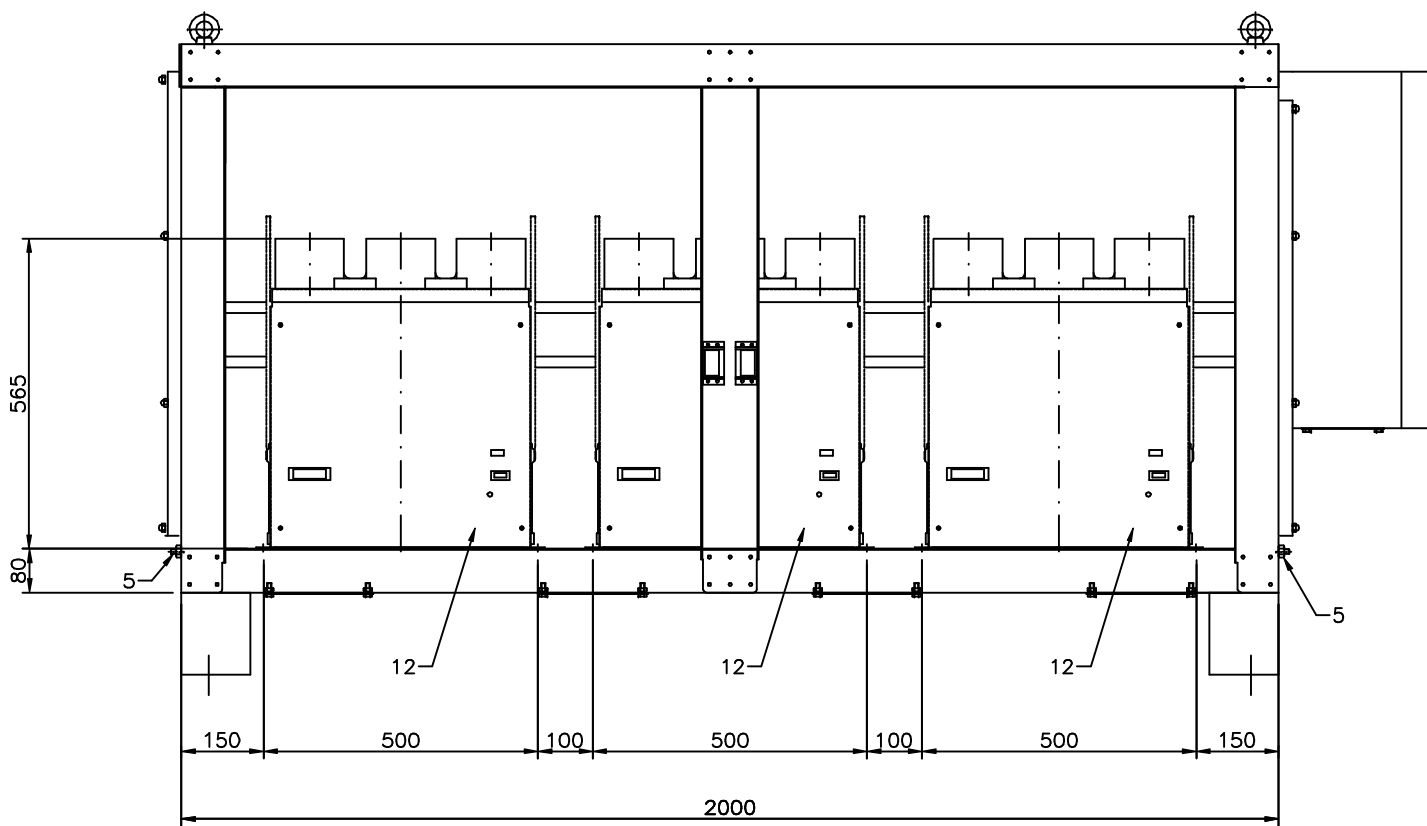


3	23.04.08	DELATED CURRENT TRANSFORMERS	Ferrario	Fornari	TITLE: NEUTRAL GROUNDING RESISTOR 15,88 OHM, 400 A FOR 10 SECONDS, 11/ $\sqrt{3}$ kV	Indicated dimensions without tollerance limits (coarse) are according to ISO 2768-1 class C	TELEMA S.P.A. Technical Office C.so Genova, 29 - MILANO Tel +39 02 83382.1 Fax +39 02 83382.206 e-mail: info@telemait.com			
2	11.03.08	REVISED ELECTRIC DIAGRAM	Ferrario	Fornari						
1	14.03.08	REVISED LAYOUT	Ferrario	Fornari						
0	06.02.08	EMISSION	Ferrario	Fornari						
REV	DATE	DESCRIPTION	DRAWN	CHECKED	CUSTOMER: COMPAGNIA TECNICA MOTORI S.p.A.	 SIZE A3	SCALE 1:10	DRAWING N° DS 080134-2	SHEET 1	OF 10

FRONT VIEW WITHOUT DOORS

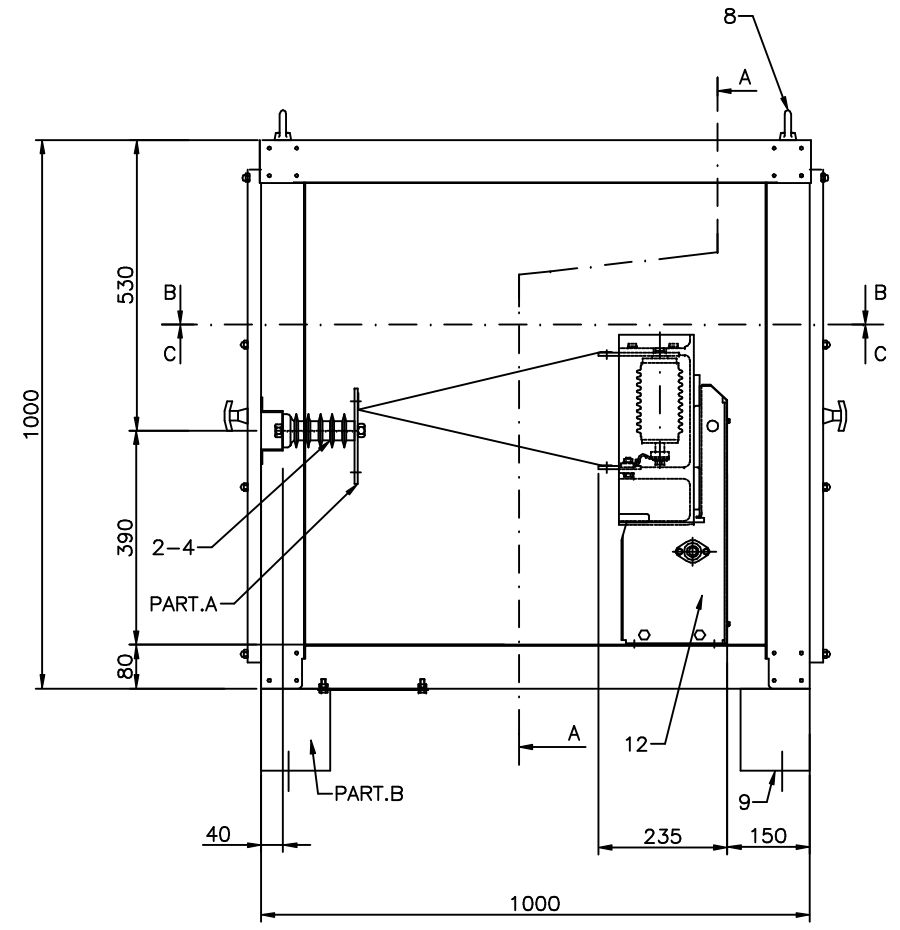
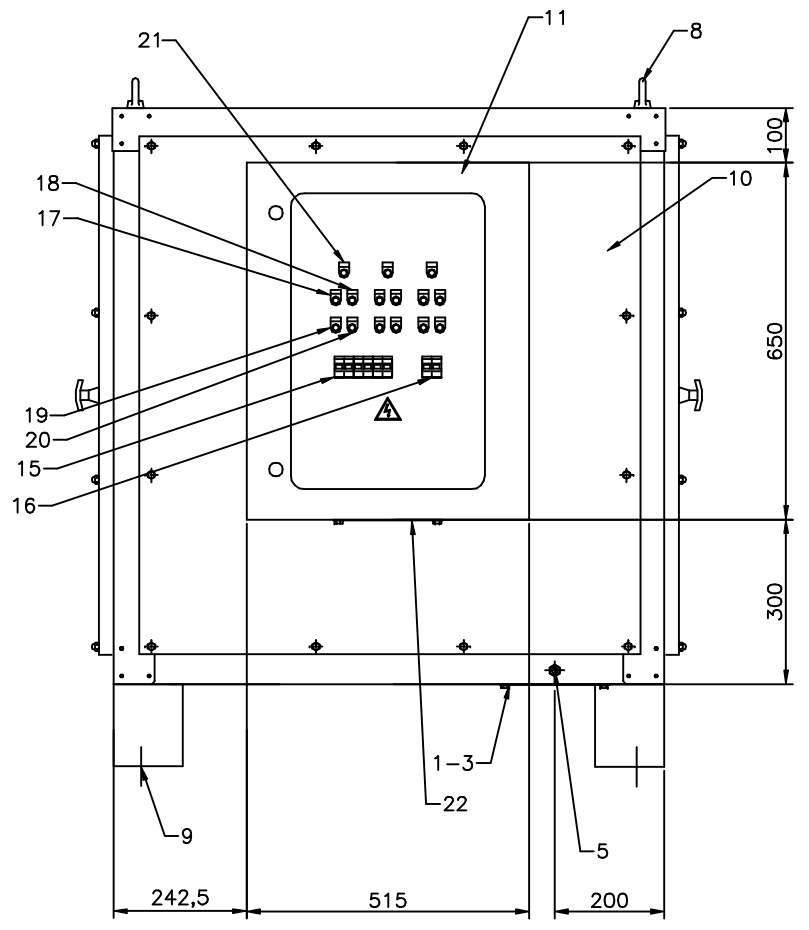


TELEMA S.P.A.
 Technical Office
 C.so Genova, 29 - MILANO
 Tel +39 02 83382.1
 Fax +39 02 83382.206
 e-mail: info@telemait.com



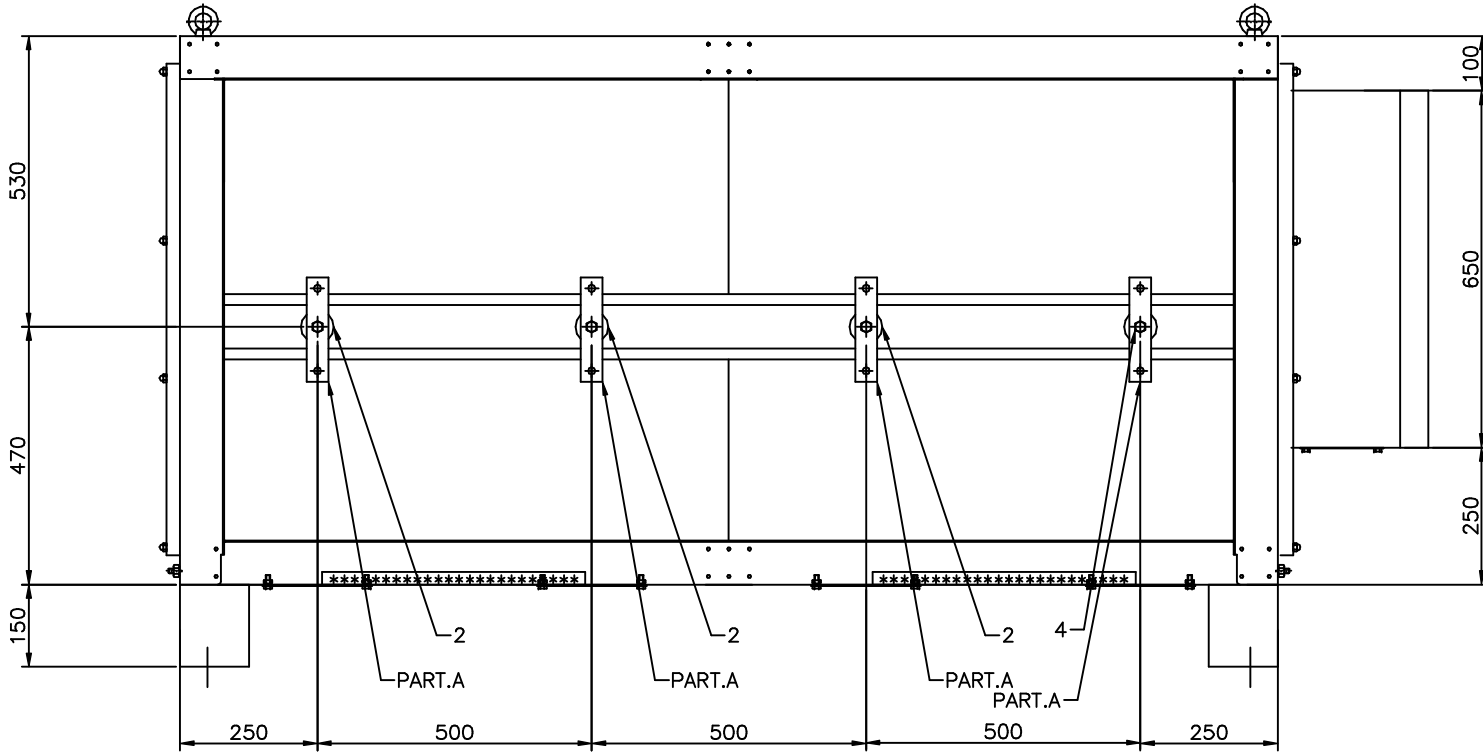
RIGHT VIEW WITH PANEL

LEFT VIEW WITHOUT PANEL



TELEMA S.P.A.
 Technical Office
 C.so Genova, 29 - MILANO
 Tel +39 02 83382.1
 Fax +39 02 83382.206
 e-mail: info@telemait.com

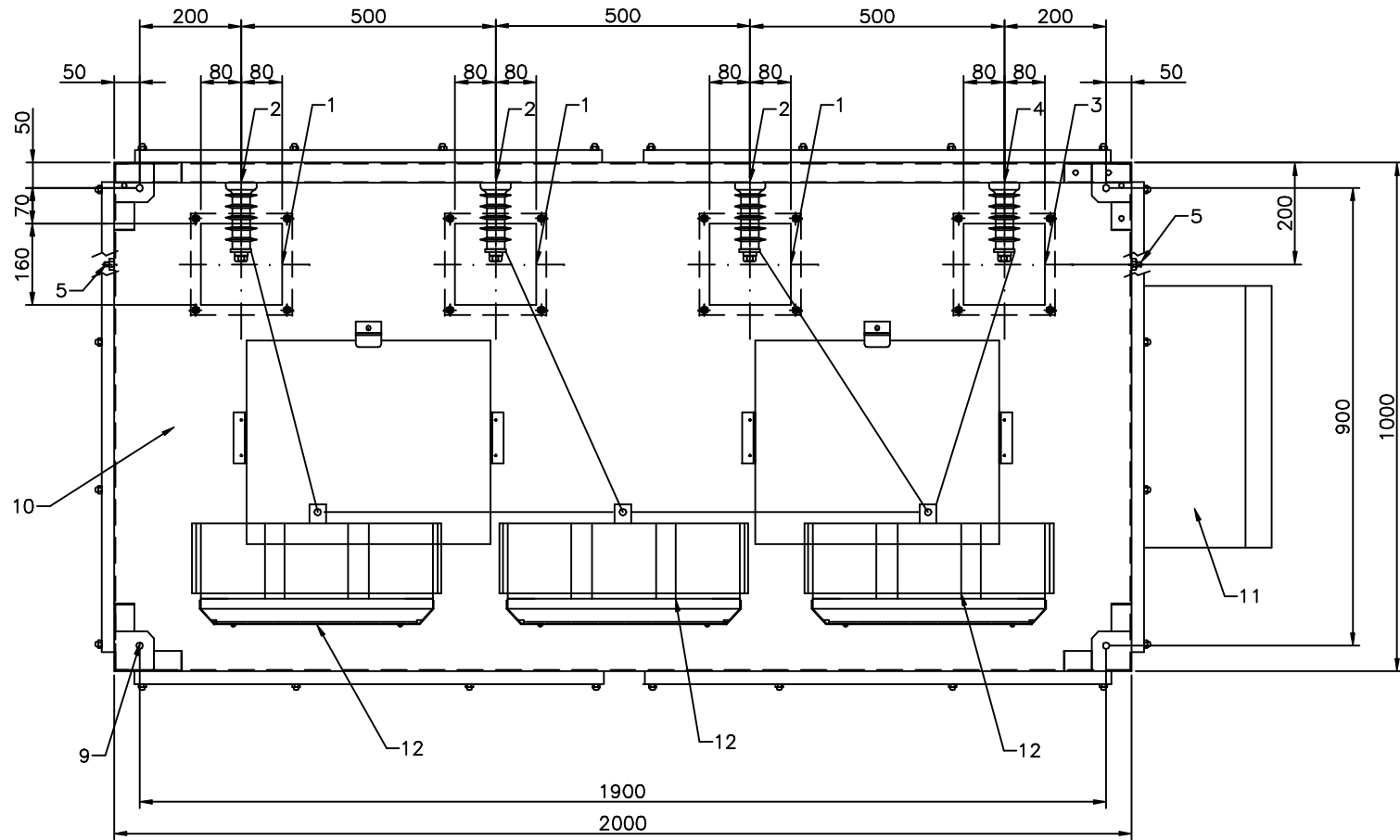




TELEMA S.P.A.
 Technical Office
 C.so Genova, 29 - MILANO
 Tel +39 02 83382.1
 Fax +39 02 83382.206
 e-mail: info@telemait.com



SECTION B-B

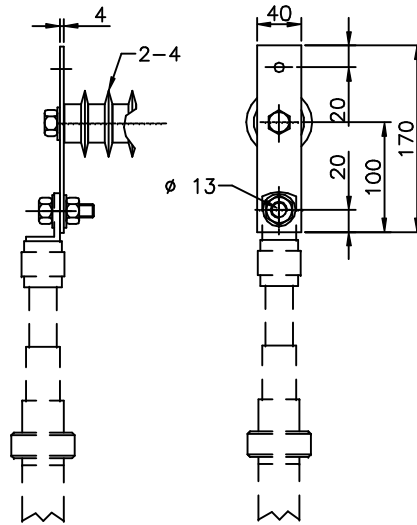


TELEMA S.P.A.
 Technical Office
 C.so Genova, 29 - MILANO
 Tel +39 02 83382.1
 Fax +39 02 83382.206
 e-mail: info@telemait.com



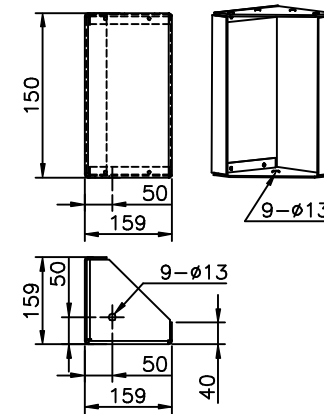
PART. A – IN/OUT TERMINALS

(scale: 1:5)



PART. B

(scale: 1:5)



1	INCOMING REMOVABLE PLATE – 200x200 mm – AISI 304	13	///	25
2	INCOMING STAND-OFF INSULATOR – RESIN – 12 kV	14	SPACE HEATER	26
3	OUTGOING REMOVABLE PLATE – 200x200 mm – AISI 304	15	MCB AUX 24 VDC POWER SUPPLY	27
4	OUTGOING STAND-OFF INSULATOR – RESIN – 12 kV	16	MCB AUX 230 VAC POWER SUPPLY	28
5	GROUNDING BOLT M12 AND GROUNDING COPPER BAR 40x3	17	RED SIGNALING LAMPS (L1 – L3 – L5)	29
6	///	18	GREEN SIGNALING LAMPS (L2 – L4 – L6)	30
7	///	19	RED PUSH BUTTONS (P1 – P3 – P5)	31
8	LIFTING EYEBOLTS	20	GREEN PUSH BUTTONS (P2 – P4 – P6)	32
9	FIXING HOLES – 4 x ϕ 13	21	KEY SWITCHES (SW1 – SW2 – SW3)	33
10	ENCLOSURE – PROTECTION DEGREE IP 54 – RAL 7032	22	REMOVABLE PLATE FOR AUXILIARY CABLES	34
11	AUXILIARY COMPARTMENT – IP 55	23	NAMEPLATE	35
12	VACUUM CONTACTORS (CC1 – CC2 – CC3)	24	///	36

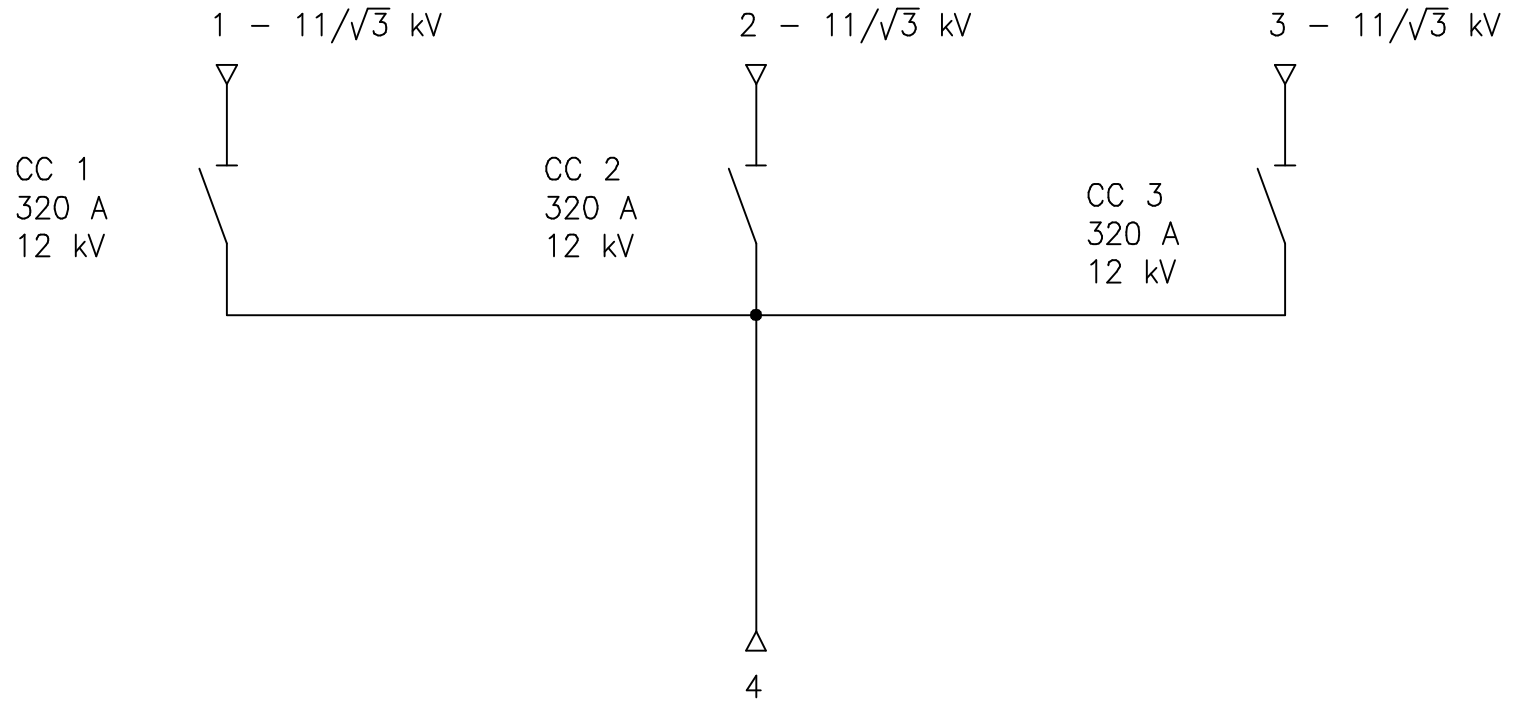
TELEMA S.P.A.
 Technical Office
 C.so Genova, 29 – MILANO
 Tel +39 02 83382.1
 Fax +39 02 83382.206
 e-mail: info@telemait.com

TELEMA

DRAWING N° DS 080134-2

SHEET 7 OF 10

ELECTRIC DIAGRAM – MAIN CIRCUIT



TELEMA S.P.A. Technical Office C.so Genova, 29 - MILANO Tel +39 02 83382.1 Fax +39 02 83382.206 e-mail: info@telemait.com	TELEMA
DRAWING N° DS 080134-2	

ELECTRIC DIAGRAM

TAB. 1

CODE	DESCRIPTION	CHARACTERISTICS
MCBX	MICRO CIRCUIT BREAKER	10 A - 400 V a.c. - TRIPPING CURVE "C"
//	//	//
MCB4	MICRO CIRCUIT BREAKER	6 A - 400 V a.c. - TRIPPING CURVE "C"
ACX	AUXILIARY CONTACTS	10 A - 400 V a.c.
SEX	LOCAL / REMOTE KEY SWITCH	10 A - 250 V a.c. - KEY REMOVABLE IN "REMOTE" POSITION
PX	OPEN PUSH BUTTON	10 A - 250 V a.c. - GREEN
PY	CLOSE PUSH BUTTON	10 A - 250 V a.c. - RED
CAX	AUXILIARY CONTACT	10 A - 250 V a.c.
CAY	AUXILIARY CONTACT	10 A - 250 V a.c.
//	//	//
//	//	//
VC	VACUUM CONTACTOR	1 POLE - 320 A - 12 kV
DU	VOLTAGE DRIVE UNIT	
52TC	TRIPPING COIL	20 A - 24 V d.c.
52CC	CLOSING COIL	20 A - 24 V a.c./d.c.
LX	CONTACTOR CLOSE SIGNALING LIGHT	2 W - 240 V - RED
LY	CONTACTOR OPEN SIGNALING LIGHT	2 W - 240 V - GREEN
L7	CABINET INTERNAL LIGHT	60 W - 220-240 V
LS	DOOR LIMIT SWITCH	10 A - 250 V a.c.
TB	TERMINAL-BOARD	SEE TAB. 2

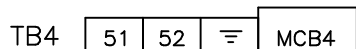
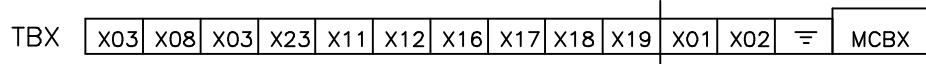
NOTE:

LETTER "X" IS "1" FOR "CC1" - "3" FOR "CC2" - "5" FOR "CC3"

LETTER "Y" IS "2" FOR "CC1" - "4" FOR "CC2" - "6" FOR "CC3"

TAB. 2

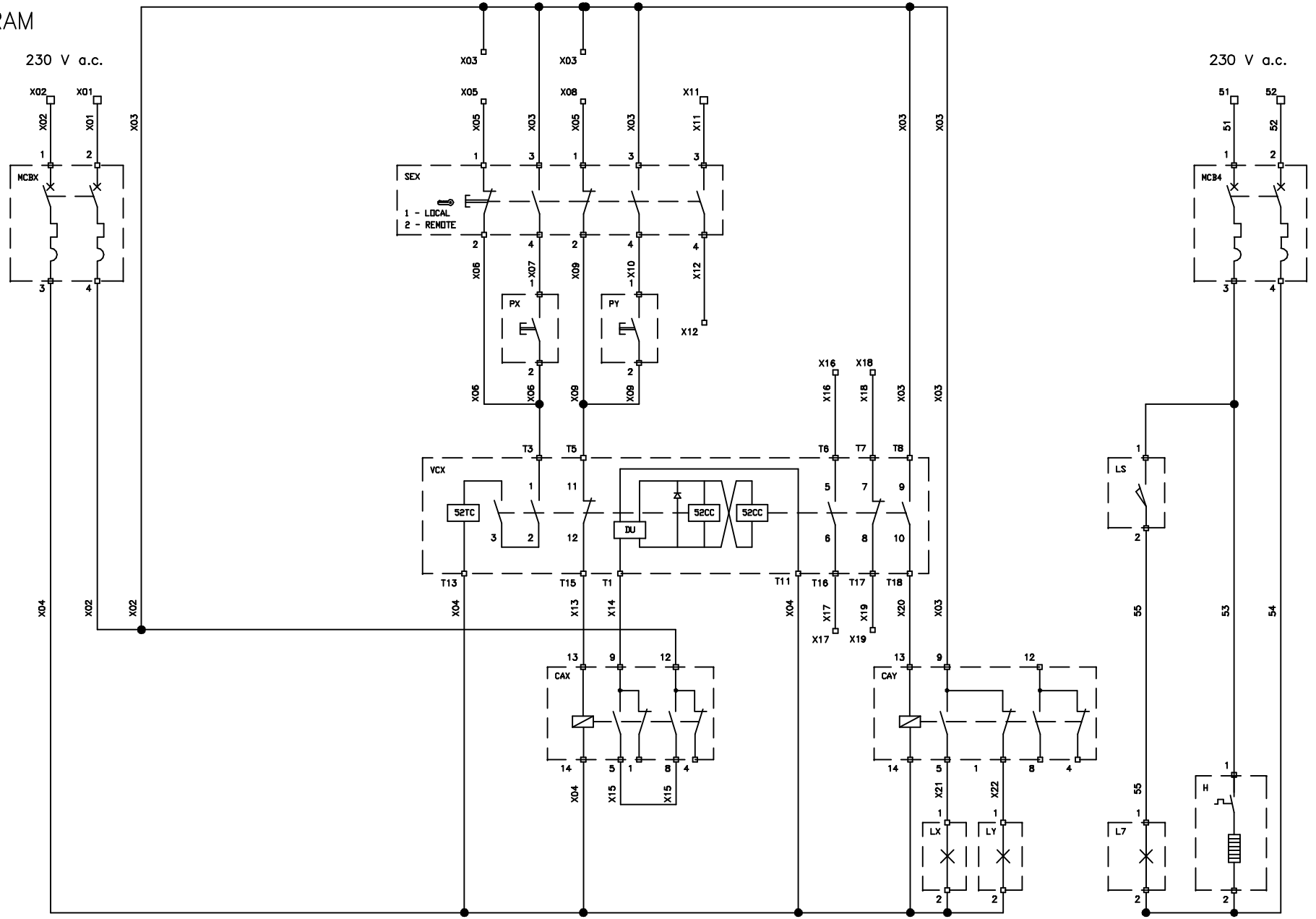
CABLE	SECTION	COLOUR	CIRCUIT	TERMINAL
N07 V-K	1 x 2,5 mm ²	RED	POSITIVE 220/240 V c.c.	UP TO 6 mm ² 41 A - 800 V
N07 V-K	1 x 2,5 mm ²	BLACK	NEGATIVE 220/240 V c.c.	UP TO 6 mm ² 41 A - 800 V
N07 V-K	1 x 2,5 mm ²	BROWN OR BLACK	PHASE 220/240 V - 50/60 Hz	UP TO 6 mm ² 41 A - 800 V
N07 V-K	1 x 2,5 mm ²	BLUE	NEUTRAL 220/240 V - 50/60 Hz	UP TO 6 mm ² 41 A - 800 V
N07 V-K	1 x 1,5 mm ²	BLACK	AUXILIARY CONTACTS	UP TO 6 mm ² 41 A - 800 V
N07 V-K	1 x 2,5 mm ²	YELLOW/GREEN	AUXILIARY GROUNDING CIRCUIT	UP TO 16 mm ² 76 A - 800 V



TELEMA S.P.A.
 Technical Office
 C.so Genova, 29 - MILANO
 Tel +39 02 83382.1
 Fax +39 02 83382.206
 e-mail: info@telemait.com



ELECTRIC DIAGRAM



NOTE:

LETTER "X" IS "1" FOR "CC1" — "3" FOR "CC2" — "5" FOR "CC3"
 LETTER "Y" IS "2" FOR "CC1" — "4" FOR "CC2" — "6" FOR "CC3"

TELEMA S.P.A.
 Technical Office
 C.so Genova, 29 — MILANO
 Tel +39 02 83382.1
 Fax +39 02 83382.206
 e-mail: info@telemait.com

