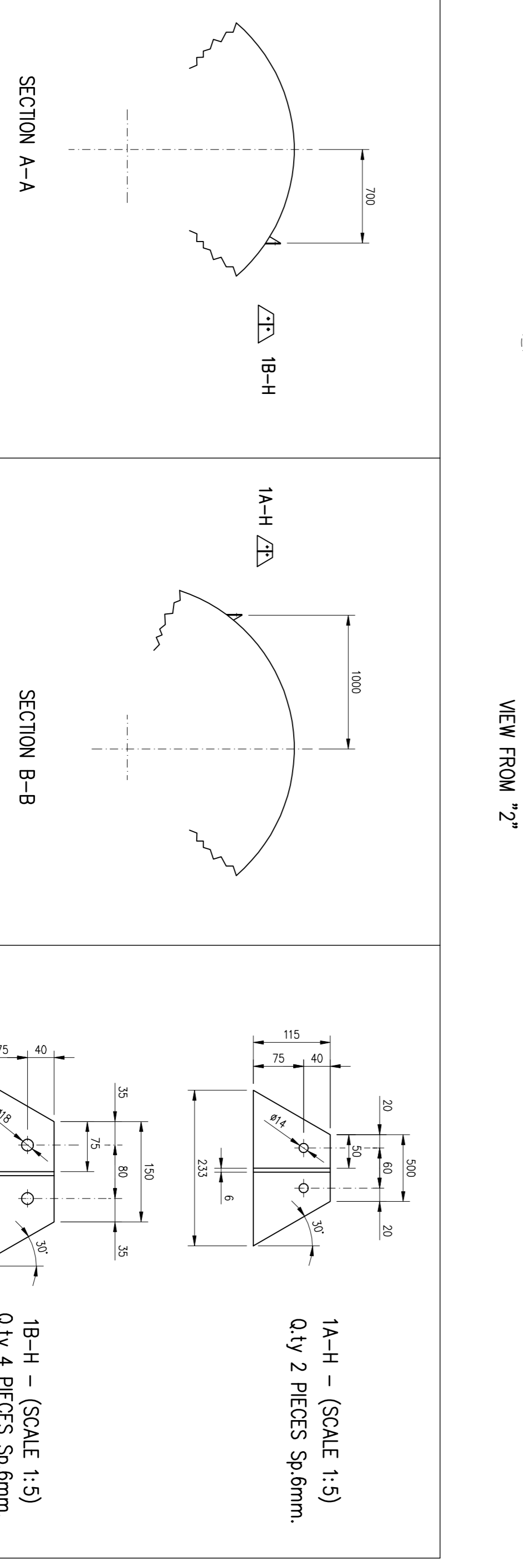
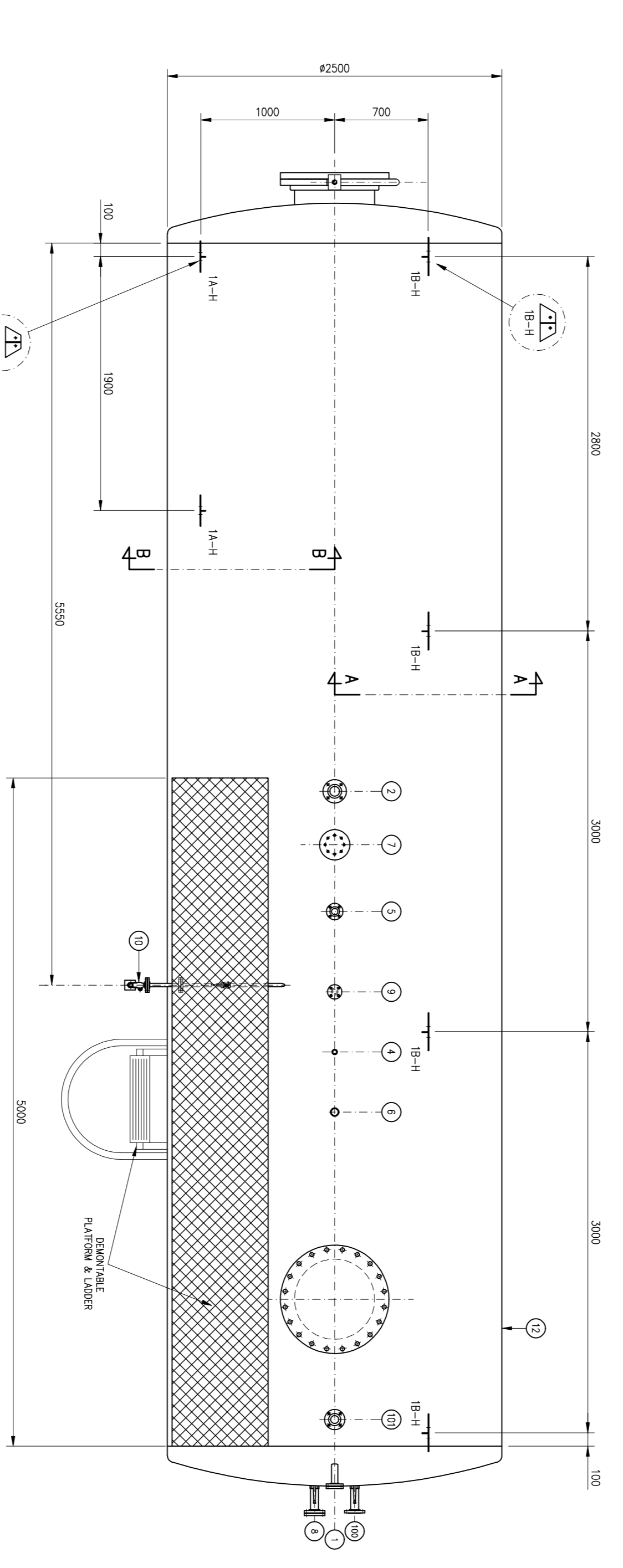
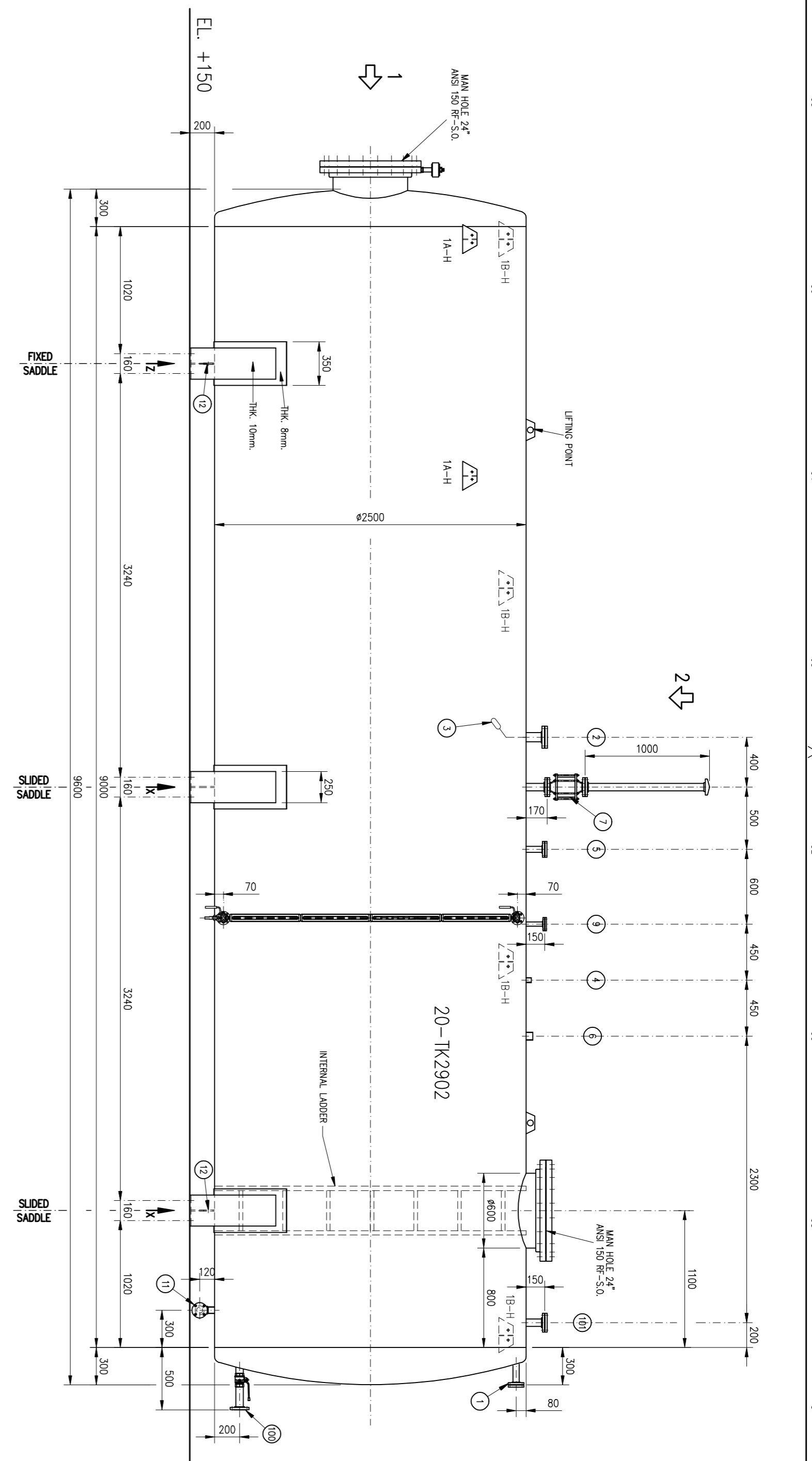
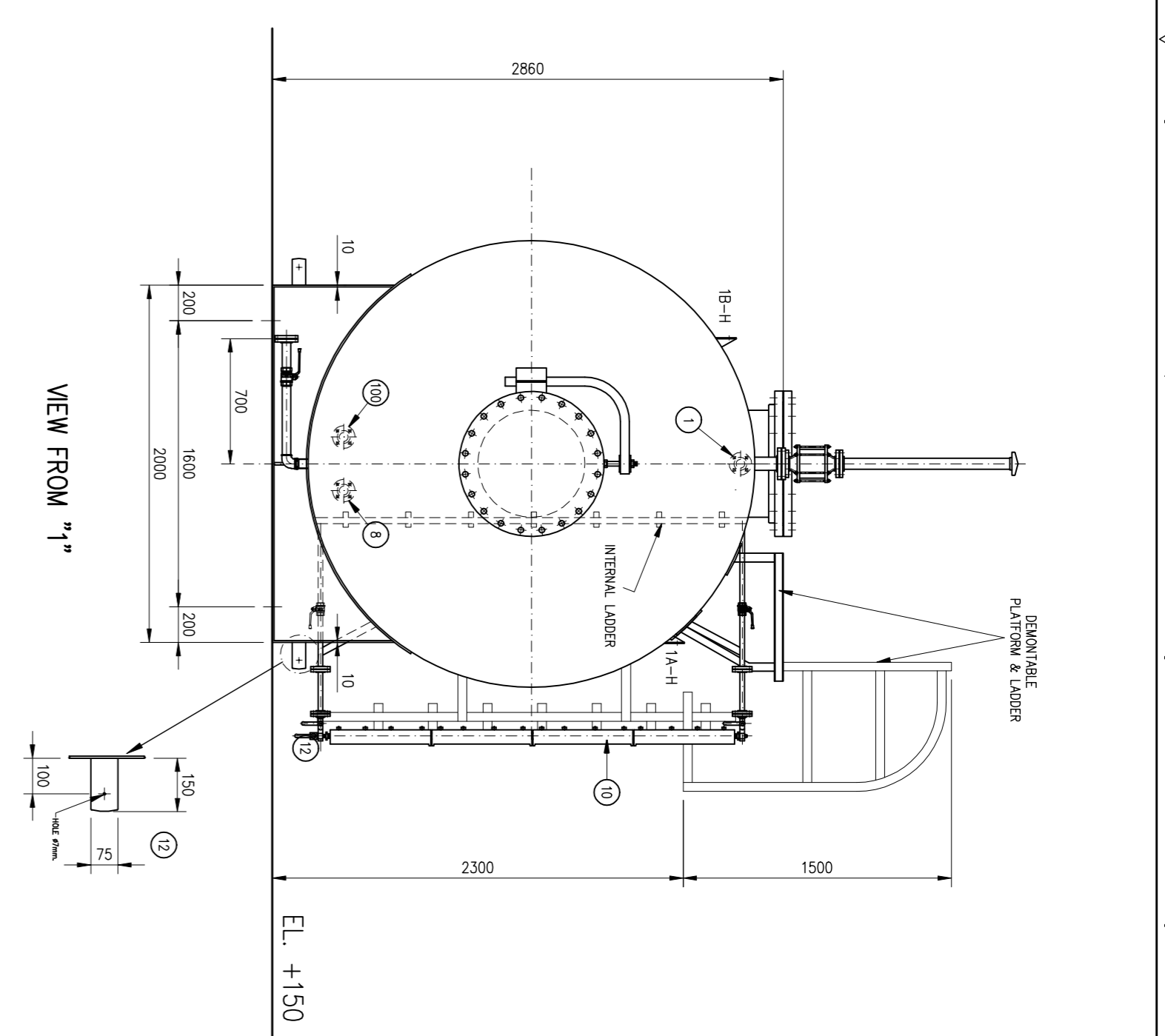
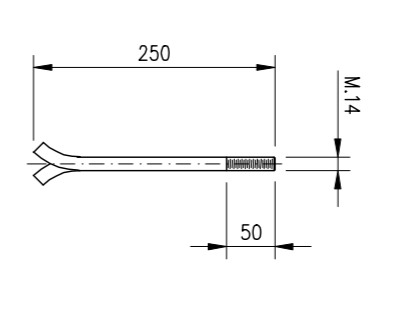


REF.	DESCRIPTION	CONN.	Q.Ty
100	FUEL SUPPLY WITH MANUAL VALVE	FLANGE ANS 158RF 2" S.O.	1
101	MINIMUM RECIRCULATION FLOW	FLANGE ANS 158RF 2" S.O.	1
1	OVERFLOW WITH BLIND COUNTERFLANGE	FLANGE ANS 158RF 2" S.O.	1
2	FUEL FILLING	FLANGE ANS 158RF 2 1/2 S.O.	1
3	LOAD DEVICE VALVE	1" GAS	1
4	LOW / HIGH FUEL LEVEL ALARM	1" GAS	1
5	SPARE WITH BLIND COUNTERFLANGE	FLANGE ANS 158RF 2" S.O.	1
6	LEVEL TRANSMITTER FOR REMOTE MONITORING (ULTRASONIC TYPE)	2" GAS	1
7	VENT TO ATMOSPHERE WITH FLAME ARRESTOR	FLANGE ANS 158RF 1 1/2 S.O.	1
8	SPARE WITH BLIND COUNTERFLANGE	FLANGE ANS 158RF 2" S.O.	1
9	SPARE WITH BLIND COUNTERFLANGE	FLANGE ANS 158RF 1" S.O.	1
10	VISUAL FUEL LEVEL INDICATOR (MANOMETRIC TYPE)	FLANGE ANS 158RF 1" S.O.	1
11	FUEL DRAIN CONN. WITH MANUAL VALVE AND BLIND COUNTERFLANGE	FLANGE ANS 158RF 1 1/2 S.O.	1
12	STAINLESS STEEL EARTHING ROSS		1



REV.	DESCRIPTION	BY	DATE	APPROVED
2	CLIENT COMMENTS INCORPORATED	A.N.	17-09-08	
1	CLIENT COMMENTS INCORPORATED	A.N.	14-06-08	
0	FIRST ISSUE	A.N.	20-11-07	

**FIXING DETAIL FUEL TANK**  
**№12 FOUNDATION BOLT M14**  
 SUPPLY BY CTM



NAMEPLATE	
CAPACITY:	45,000 Litres
THK:	6 mm.
MATERIAL:	CARBON STEEL S 235-JR
DRY WEIGHT:	4300 Kg.
WET WEIGHT:	42550 Kg.
PAINTING:	RUSTPROOF

OPER. TEMPERATURE (°C)	45
OPER. PRESSURE (bar)	AMBIENT
DESIGN TEMPERATURE (°C)	45
DESIGN PRESSURE (bar)	AMBIENT

**compagnia tecnica motori**  
 Compagnia Technica Motori S.p.A.  
 Via Magliana, 1 - 00146 Roma (Italy)  
 Telefono 02/4505261 - 02/4505262  
 e-mail: ctm@ctm.it

**GS ENGINEERING**  
 6608

CLIENT: **GS ENGINEERING**  
 ORDER N°: **6608**

DRN. BY: **A.N.**  
 DATE: **20-11-07**

APPR. BY: **A1**  
 DATE: **20-11-07**

THIS DRAWING AND THE DESIGN SHOWN ARE THE PROPERTY OF C.T.M. S.p.A. AND MUST NOT BE USED OR COPIED WITHOUT THEIR PERMISSION

ALL DIMENSIONS IN MILLIMETERS UNLESS OTHERWISE STATED

**DO NOT SCALE**

**compagnia tecnica motori**  
 Compagnia Technica Motori S.p.A.  
 Via Magliana, 1 - 00146 Roma (Italy)  
 Telefono 02/4505261 - 02/4505262  
 e-mail: ctm@ctm.it

**GS E&C Corporation**  
 SEOUL, KOREA

**SALALAH METHANOL PROJECT**  
 Salalah, Sultanate of Oman

**GENERAL ARRANGEMENT DRAWING FUEL TANK**  
 (20-22902)

UNIT N°: **29**  
 DRAWING N°: **7S72-VP-PU-EL001-010**  
 SCALE: **1:30**  
 JOB N°: **7S72**

CLIENT: **GS** IMPIANTO: **SALALAH** FO. di: **1** Scale / Scale: **1:30**

CLIENTE: **GS** IMPIANTO: **SALALAH** Sheet 1 of 1 REC. N°: **0112**

TITOLO/Title: **GENERAL ARRANGEMENT DRAWING FUEL TANK** DCC. N°: **943-M-011**

DEGNO DOCUMENTO E TUTTE LE DIMENSIONI IN ESSE SONO PRESENTI E NON DEVONO ESSERE MODIFICATE. I CLIENTI DEVONO VERIFICARE IL CONTENUTO DELLA SCHEDA SPECIFICAZIONI E IL CONTENUTO DELLA SCHEDA SPECIFICAZIONI PER VERIFICARE CHE LE DIMENSIONI SIA IDENTICHE A QUELLE PRESENTI IN QUESTO DOCUMENTO. SE NON UTILIZZAZIONE PER UN ALTRO SCOPO, IL CLIENTE DEVE FARLO SAPERE AL FORNITORE. SE NECESSARIO, IL CLIENTE DEVE FARLO SAPERE AL FORNITORE.

REV.	DATE	DESCRIPTION	BY	CHK	APP
1	17-09-08	FIRST ISSUE	M.B.	M.B.	G.B.
0	17-09-07	FIRST ISSUE	M.B.	M.B.	G.B.

ENG. G. S. E&C Corporation

DRN. BY: **A.N.**  
 DATE: **20-11-07**

APPR. BY: **A1**  
 DATE: **20-11-07**

THIS DRAWING AND THE DESIGN SHOWN ARE THE PROPERTY OF C.T.M. S.p.A. AND MUST NOT BE USED OR COPIED WITHOUT THEIR PERMISSION

ALL DIMENSIONS IN MILLIMETERS UNLESS OTHERWISE STATED

**DO NOT SCALE**