



Compagnia Tecnica Motori S.p.A.

I-20090 Cesano Boscone (Mi)
Via Magellano, 1
Tel. +39 02.450581 (20 linee r.a.)
Fax +39 02.45058260 / 262

Magazzino Ricambi:
Fax diretto +39 02.45058263
www.ctm.it
e-mail: ctm@ctm.it



EDG TRAINING MANUAL JOB 6608 REV.0

5. Installation

- 5.1. Installation DWG
- 5.2. Civil Works DWG
- 5.3. General Arrangement DWG EDG set
- 5.4. Piping Isometric DWG
- 5.5. Piping Gas Extinguishing Sys DWG

VENDOR DOC. NO. :7S72-VP-20Z2902A/B/C-007

CLIENT DOC. NO. :7S72-PR-EL-001

INSTALLATION DRAWING


PROJECT TITLE : DIESEL ENGINE GENERATOR

P.O. NO. : 7S72-PO-EL-001

VENDOR REF. NO. : SMC-CTM-001

- 1: APPROVED WITHOUT COMMENTS, VENDOR TO SUBMIT FOR FINAL.
- 2: APPROVED WITH COMMENTS, VENDOR TO AMEND AND SUBMIT FOR FINAL
- 3: APPROVED WITH COMMENTS, VENDOR TO AMEND AND SUBMIT FOR APPROVAL.
- 4: NOT REVIEWED.

THIS APPROVAL OR REVIEW DOES NOT RELIEVE THE VENDOR/SUBCONTRACTOR OF HIS RESPONSIBILITIES TO MEET ALL OF THE SPECIFIED REQUIREMENTS OF THE PURCHASE ORDER.

	
CODE	DESCRIPTION & INSTRUCTIONS
2	Approved with Comments. Vendor to Amend and Submit For Final



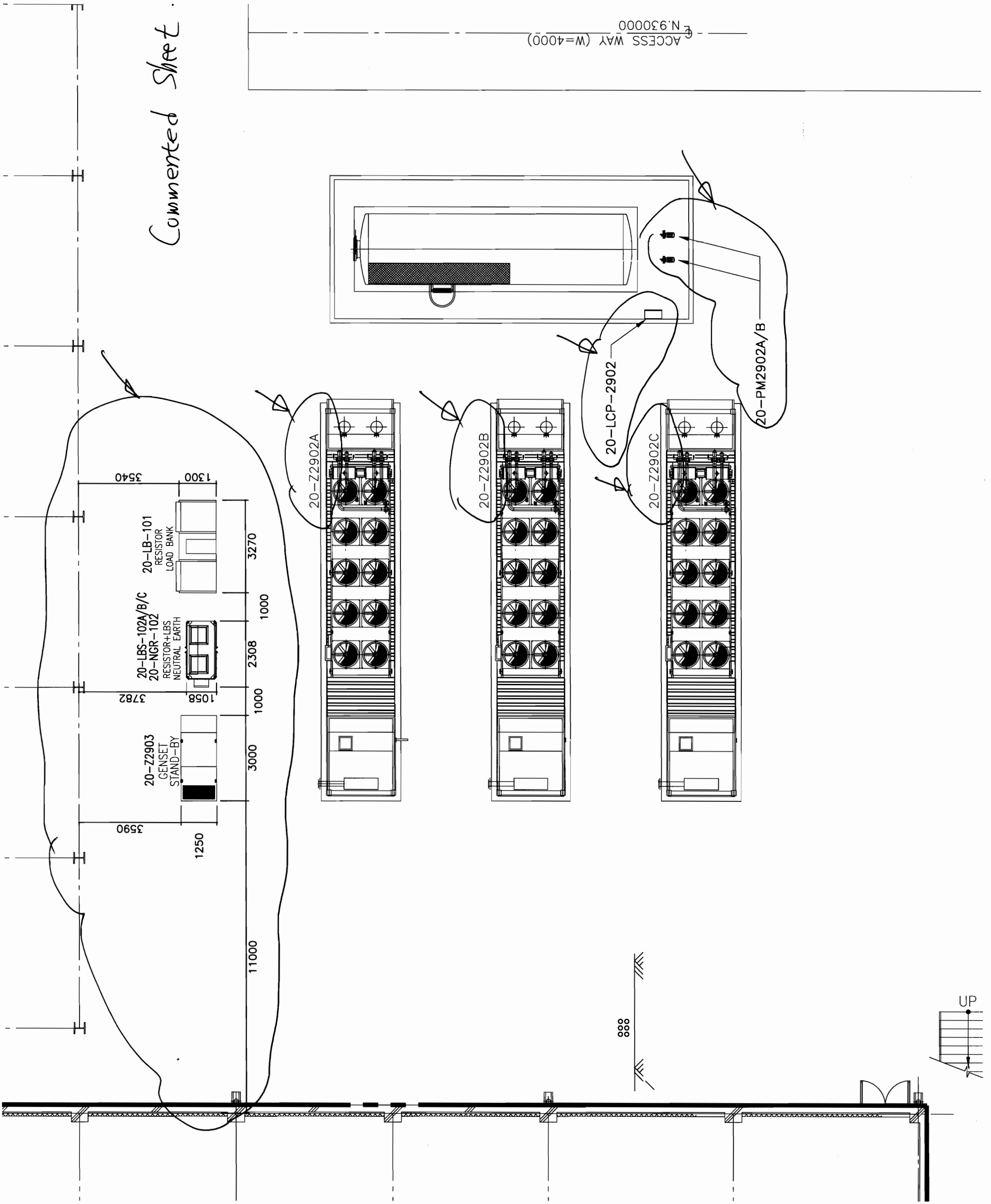
Salalah Methanol Project
Salalah Methanol Company, LLC (FZC)
Salalah, Sultanate of Oman

COMPAGNIA TECNICA MOTORI SPA, Italy

 **GS Engineering & Construction Corp.**
SEOUL, KOREA

3					
2					
1					
0	03-MAR	FOR APPROVAL	NOVELLI	TURCHIARELLI	TURCHIARELLI
REV.	DATE	DESCRIPTION	PREPARED BY	CHECKED BY	APPROVED BY
					REV. 0

Commented Sheet



ACCESS WAY (W=4000)
N.930000

20-Z2902A

20-Z2902B

20-Z2902C

20-LCP-2902

20-PM2902A/B

000
000

UP

VENDOR DOC. NO. : 7S72-VP-20Z2902A/B/C-009 → SMC-CTM-001

CLIENT DOC. NO. : 7S72-PR-EL-001

7S72-VP-PO-EL001-009

GENERAL ARRANGEMENT DRAWING EDG SET

Common - 009
Serial No.

↳ Typical comment to be applied to all other vendor prints No.

Salalah Methanol Project

PROJECT TITLE : DIESEL ENGINE GENERATOR

P.O. NO. : 7S72-PO-EL-001

VENDOR REF. NO. : SMC-CTM-001

GS Engineering & Construction	
CODE	DESCRIPTION & INSTRUCTIONS
2.	Approved with Comments. Vendor to Amend and Submit For Final

- 1: APPROVED WITHOUT COMMENTS, VENDOR TO SUBMIT FOR FINAL.
- 2: APPROVED WITH COMMENTS, VENDOR TO AMEND AND SUBMIT FOR FINAL
- 3: APPROVED WITH COMMENTS, VENDOR TO AMEND AND SUBMIT FOR APPROVAL.
- 4: NOT REVIEWED.

CTM logo to be added.

THIS APPROVAL OR REVIEW DOES NOT RELIEVE THE VENDOR/SUBCONTRACTOR OF HIS RESPONSIBILITIES TO MEET ALL OF THE SPECIFIED REQUIREMENTS OF THE PURCHASE ORDER.



شركة صلالة للميثانول (مملكة عُمان)
Salalah Methanol Company, LLC (FZC)

Salalah Methanol Project
Salalah Methanol Company, LLC (FZC)
Salalah, Sultanate of Oman

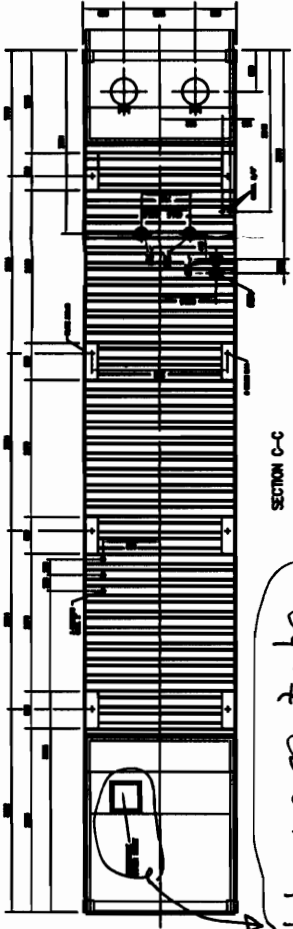
COMPAGNIA TECNICA MOTORI SPA, Italy



GS Engineering & Construction Corp.
SEOUL, KOREA

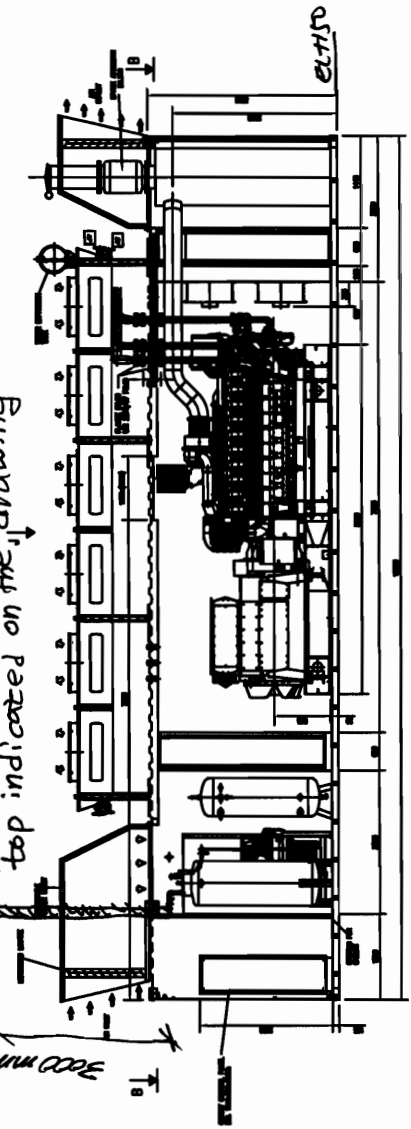
3					
2					
1					
0	04-03-08 03-MAR	FOR APPROVAL	NOVELLI	TURCHIARELLI	TURCHIARELLI
REV.	DATE	DESCRIPTION	PREPARED BY	CHECKED BY	APPROVED BY
					REV. 0

→ please, provide Anchor Box Detail drawing (ex: 6 nos)

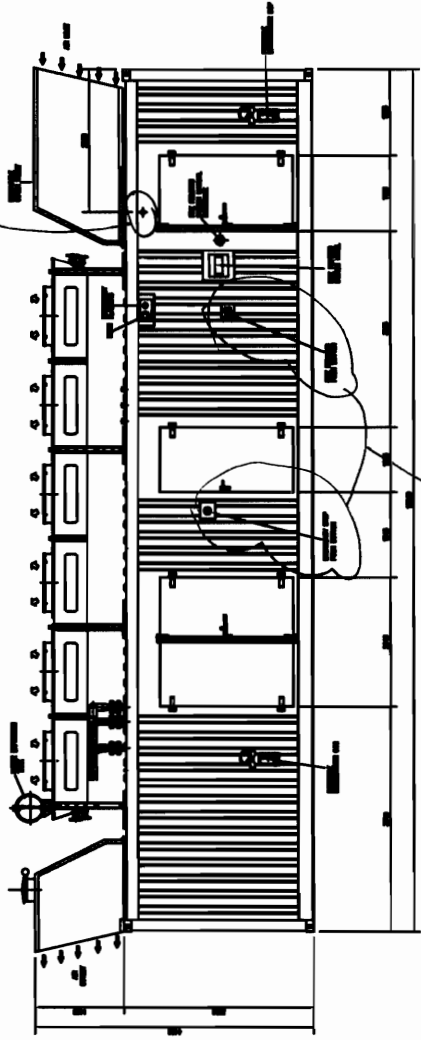


What purpose to be indicated.

Vent line to be extended up to 3000mm from the top indicated on the drawing

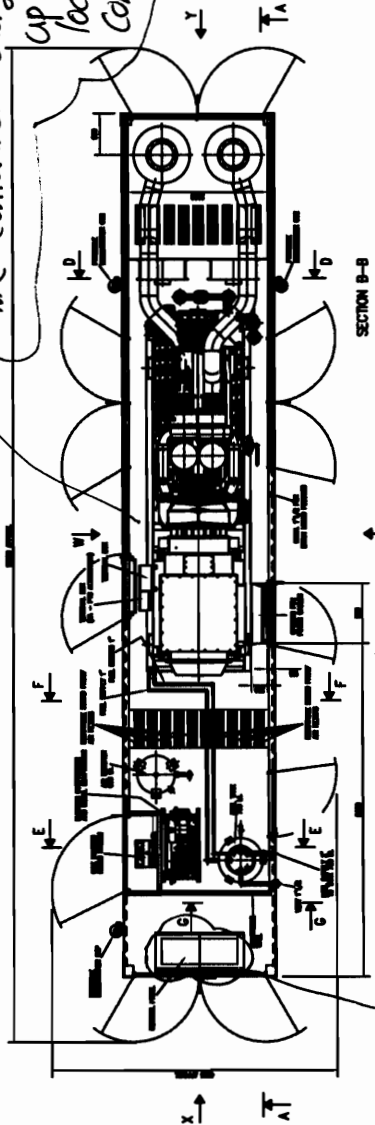


What is it? The function to be indicated.



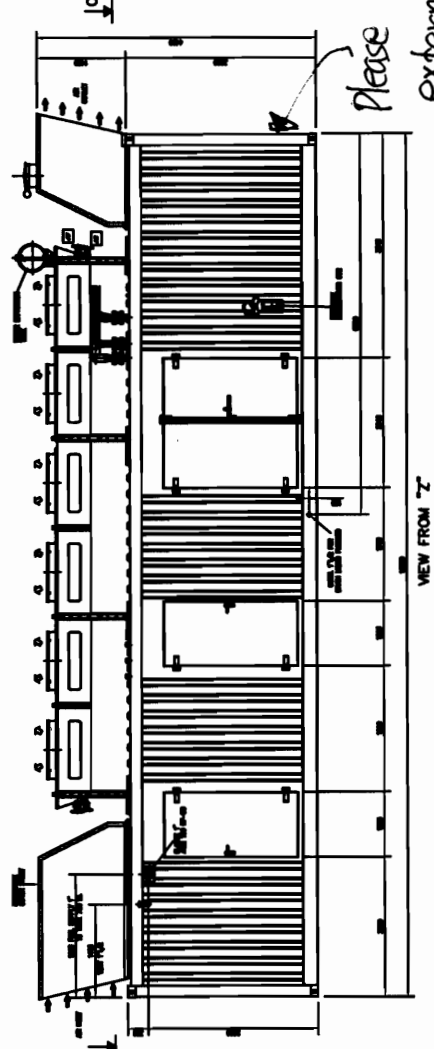
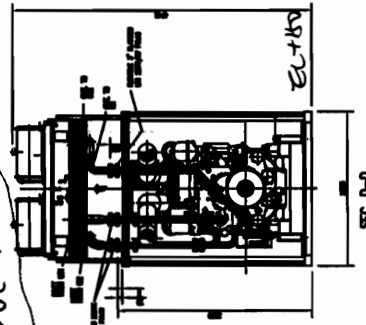
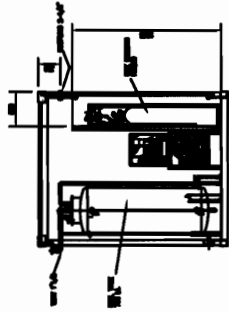
To be indicated in English instead of in Italy.

Cable tray route inside and outside the container along with the cable route up to air cooler motors located outside the container.



Opening hole of gland plate for (control panel) (width(mm) x depth(mm)) to be indicated.

NOTE: ACCORDING TO THE CONTAINER IS NOT NECESSARY ONE TO HEAVY WEIGHT OF CONTAINER TRAILER.
(Typical) To be corrected based on the vendor print index & schedule 04-03-08 PATE



Please indicate container's grounding externally and internally. Please indicate how to ground the container along with corresponding notes.

TOTAL WEIGHT:	kg: 14,100
DYNAMIC LOAD:	kg: 1,000
PAINT COLOUR:	RAL 6002
CONTAINER:	RAL 6002
INSULATION:	RAL 6002
GENERATOR:	RAL 6002
CONTROL PANEL:	RAL 6002
MAX EQUIPMENT WEIGHT:	kg: 1,000
ENGINE (kW):	kw: 11,000
GENERATOR (kW):	kw: 11,000
ALTERNATOR:	kw: 11,000
CONTAINER:	kw: 11,000
FACE TIME (HRS):	hr: 1,000
STARTING AIR SYSTEM:	kg: 1,000
CONTROL PANEL:	kg: 1,000
ACCESSORIES:	kg: 1,000



CLIENT:	GS
PROJECT:	SALALAH
DATE:	11/11/11
REVISION:	REV. 01
DESCRIPTION:	GENERAL ARRANGEMENT DRAWING EIG SET
SCALE:	1:1
PROJECT NO.:	7572-VP-002/000/PT-009
DATE:	11-11-07
PROJECT NO.:	6608-C-301
DATE:	11-11-07

SALALAH METHANOL PROJECT
Salalah, Sultanate of Oman

compagnia tecnica motori
GS&C Corporation
SEOUL, KOREA

GENERAL ARRANGEMENT DRAWING EIG SET
REV. 01
SCALE: 1:1

PROJECT NO. 7572-VP-002/000/PT-009
DATE: 11-11-07

PROJECT NO. 6608-C-301
DATE: 11-11-07

VENDOR DOC. NO.

:7S72-VP-20Z2902A/B/C-008

CLIENT DOC. NO.

:7S72-PR-EL-001

See commented sheet No.
7S72-VP-PO-EL001-009

CIVIL WORKS

PROJECT TITLE : DIESEL ENGINE GENERATOR

P.O. NO. : 7S72-PO-EL-001

VENDOR REF. NO. : SMC-CTM-001

- 1: APPROVED WITHOUT COMMENTS, VENDOR TO SUBMIT FOR FINAL.
- 2: APPROVED WITH COMMENTS, VENDOR TO AMEND AND SUBMIT FOR FINAL
- 3: APPROVED WITH COMMENTS, VENDOR TO AMEND AND SUBMIT FOR APPROVAL.
- 4: NOT REVIEWED.

THIS APPROVAL OR REVIEW DOES NOT RELIEVE THE VENDOR/SUBCONTRACTOR OF HIS RESPONSIBILITIES TO MEET ALL OF THE SPECIFIED REQUIREMENTS OF THE PURCHASE ORDER.

CODE	DESCRIPTION & INSTRUCTIONS
2.	Approved with Comments. Vendor to Amend and Submit For Final



Salalah Methanol Project
Salalah Methanol Company, LLC (FZC)
Salalah, Sultanate of Oman

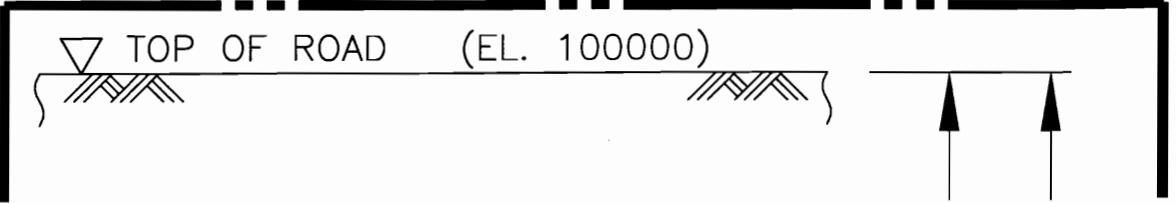
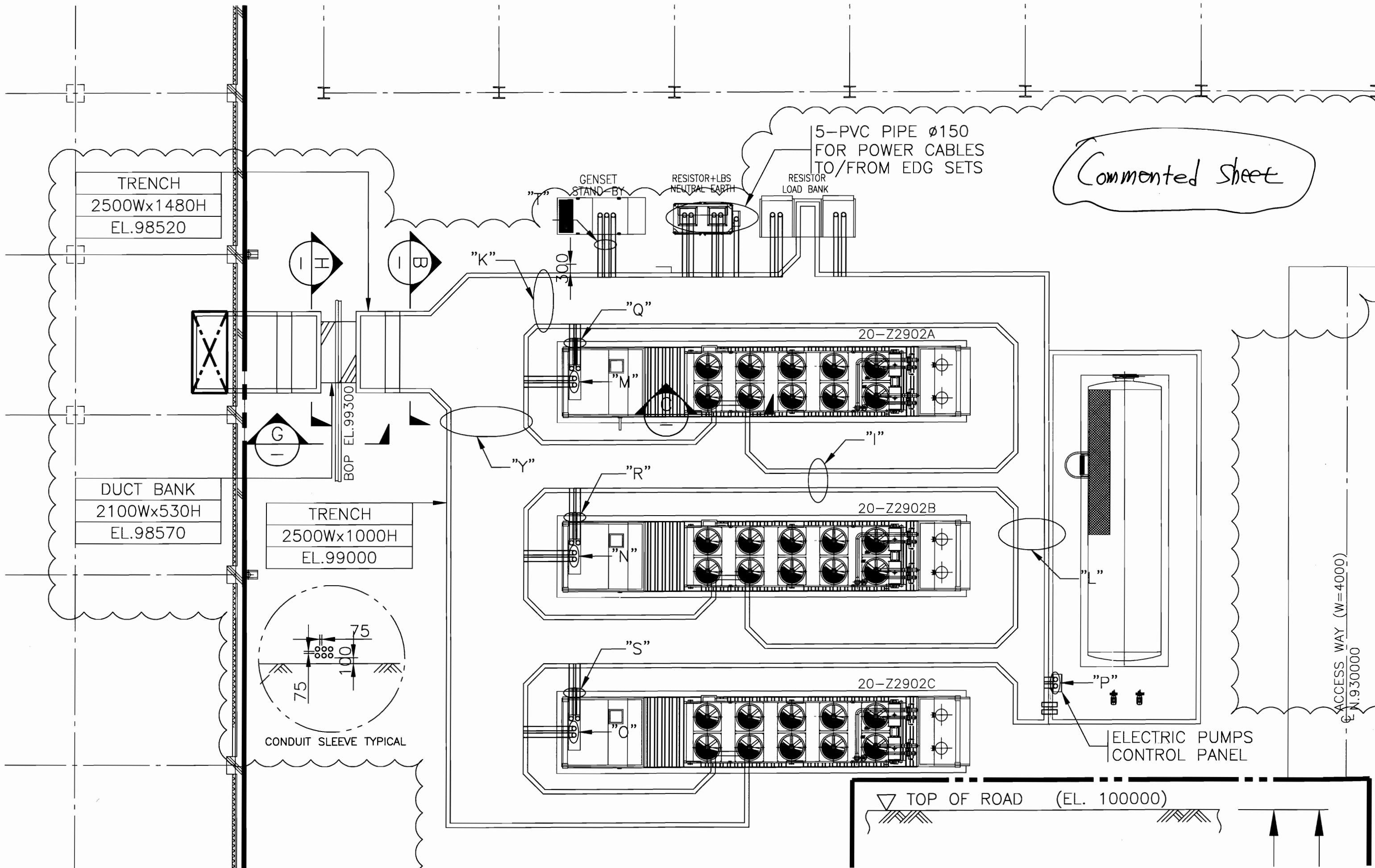
COMPAGNIA TECNICA MOTORI SPA, Italy



GS Engineering & Construction Corp.
SEOUL, KOREA

3					
2					
1					
0	03-MAR	FOR APPROVAL	NOVELLI	TURCHIARELLI	TURCHIARELLI
REV.	DATE	DESCRIPTION	PREPARED BY	CHECKED BY	APPROVED BY
					REV. 0

Commented sheet



VENDOR DOC. NO. :7S72-VP-20Z2902A/B/C-016

CLIENT DOC. NO. :7S72-PR-EL-001

PIPING ISOMETRIC DRAWING

PROJECT TITLE : DIESEL ENGINE GENERATOR

P.O. NO. : 7S72-PO-EL-001

VENDOR REF. NO. : SMC-CTM-001

- 1: APPROVED WITHOUT COMMENTS, VENDOR TO SUBMIT FOR FINAL.
- 2: APPROVED WITH COMMENTS, VENDOR TO AMEND AND SUBMIT FOR FINAL
- 3: APPROVED WITH COMMENTS, VENDOR TO AMEND AND SUBMIT FOR APPROVAL.
- 4: NOT REVIEWED.

GS Engineering & Construction	
CODE	DESCRIPTION & INSTRUCTIONS
2	Approved with Comments. Vendor to Amend and Submit For Final

THIS APPROVAL OR REVIEW DOES NOT RELIEVE THE VENDOR/SUBCONTRACTOR OF HIS RESPONSIBILITIES TO MEET ALL OF THE SPECIFIED REQUIREMENTS OF THE PURCHASE ORDER.



شركة صلاح للميثانول (مملكة حرة)
Salah Methanol Company, LLC (FZC)

Salah Methanol Project
Salah Methanol Company, LLC (FZC)
Salah, Sultanate of Oman

COMPAGNIA TECNICA MOTORI SPA, Italy



GS Engineering & Construction Corp.
SEOUL, KOREA

3					
2					
1					
0	03-MAR	FOR APPROVAL	NOVELLI	TURCHIARELLI	TURCHIARELLI
REV.	DATE	DESCRIPTION	PREPARED BY	CHECKED BY	APPROVED BY
					REV. 0

VENDOR DOC. NO. :7S72-VP-20Z2902A/B/C-046

CLIENT DOC. NO. :7S72-PR-EL-001

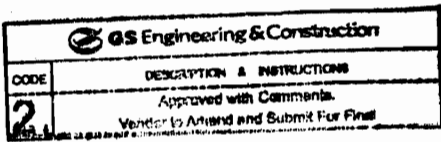
PIPING PLAN FOR GAS EXTINGUISHING SYSTEM

PROJECT TITLE : DIESEL ENGINE GENERATOR

P.O. NO. : 7S72-PO-EL-001

VENDOR REF. NO. : SMC-CTM-001

- 1: APPROVED WITHOUT COMMENTS, VENDOR TO SUBMIT FOR FINAL.
- 2: APPROVED WITH COMMENTS, VENDOR TO AMEND AND SUBMIT FOR FINAL
- 3: APPROVED WITH COMMENTS, VENDOR TO AMEND AND SUBMIT FOR APPROVAL.
- 4: NOT REVIEWED.



THIS APPROVAL OR REVIEW DOES NOT RELIEVE THE VENDOR/SUBCONTRACTOR OF HIS RESPONSIBILITIES TO MEET ALL OF THE SPECIFIED REQUIREMENTS OF THE PURCHASE ORDER.



Salalah Methanol Project
Salalah Methanol Company, LLC (FZC)
Salalah, Sultanate of Oman

COMPAGNIA TECNICA MOTORI SPA, Italy



GS Engineering & Construction Corp.
SEOUL, KOREA

3					
2					
1					
0	03-MAR	FOR APPROVAL	NOVELLI	TURCHIARELLI	TURCHIARELLI
REV.	DATE	DESCRIPTION	PREPARED BY	CHECKED BY	APPROVED BY
					REV. 0

